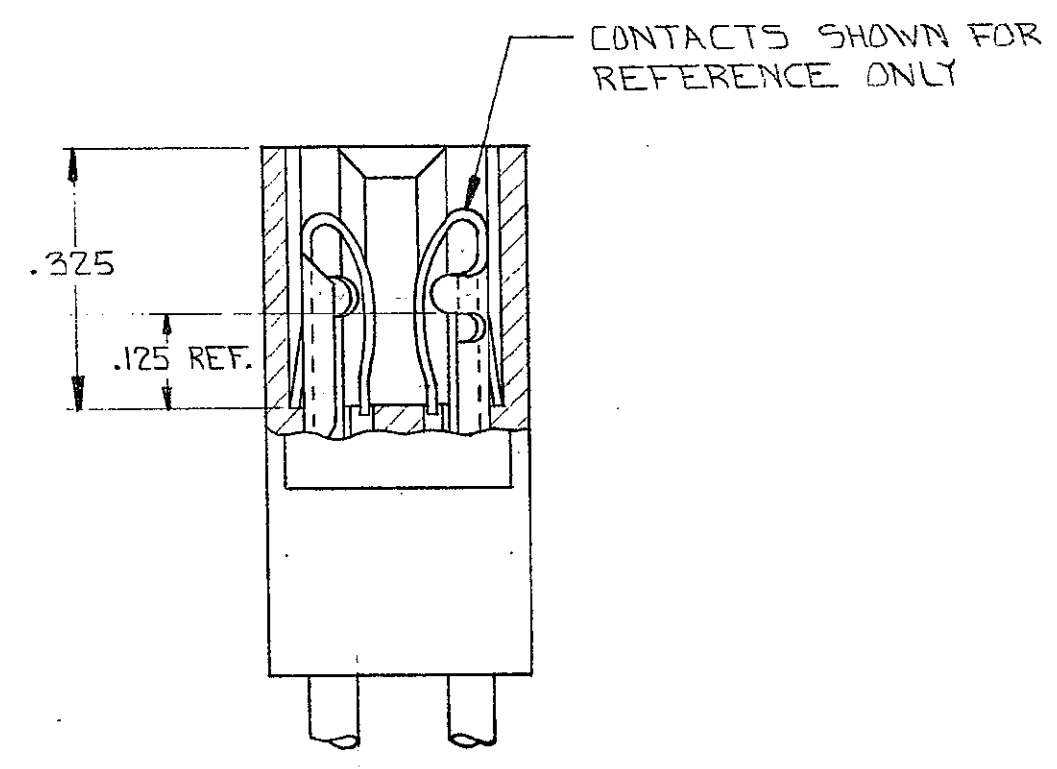
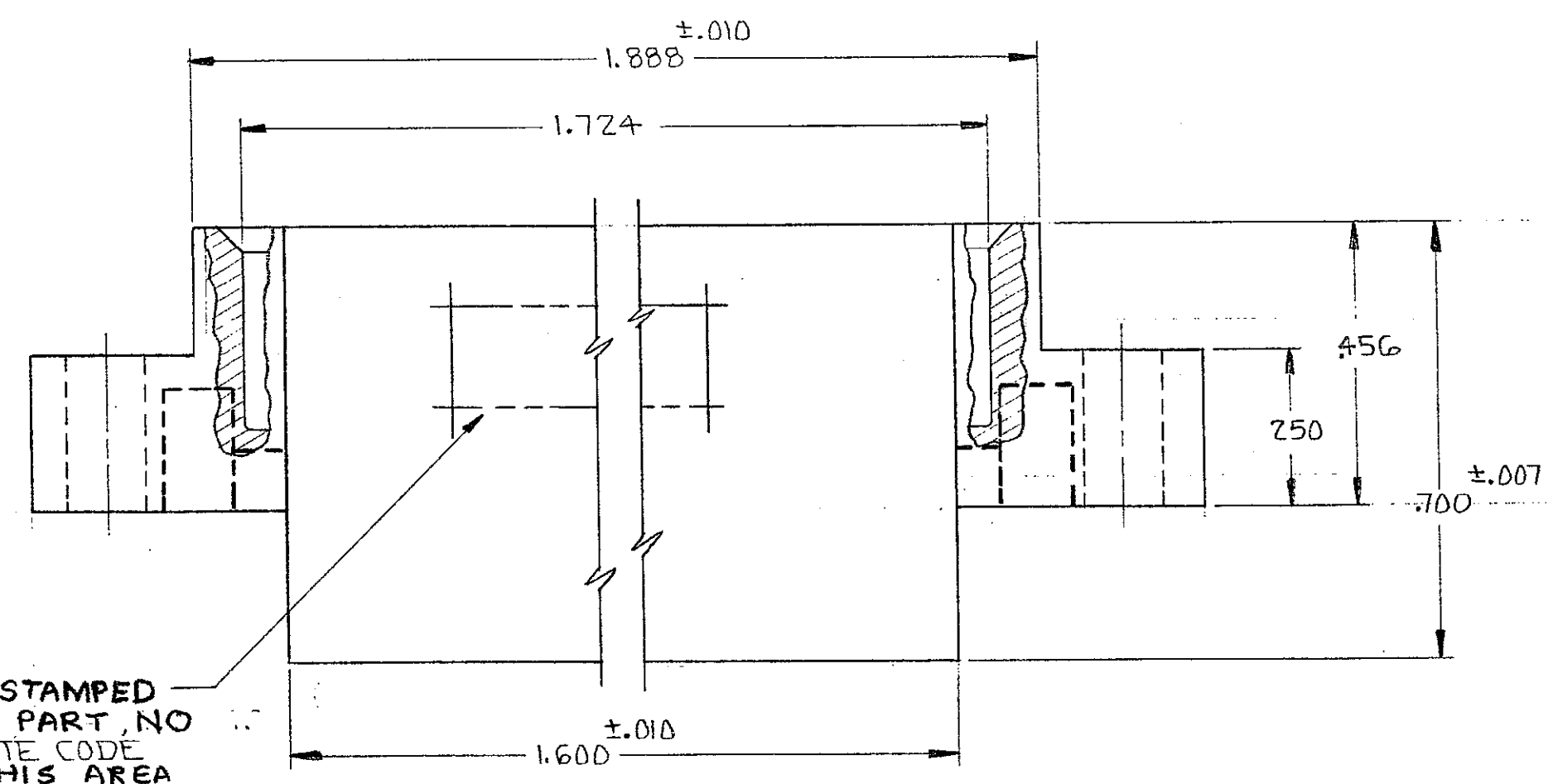
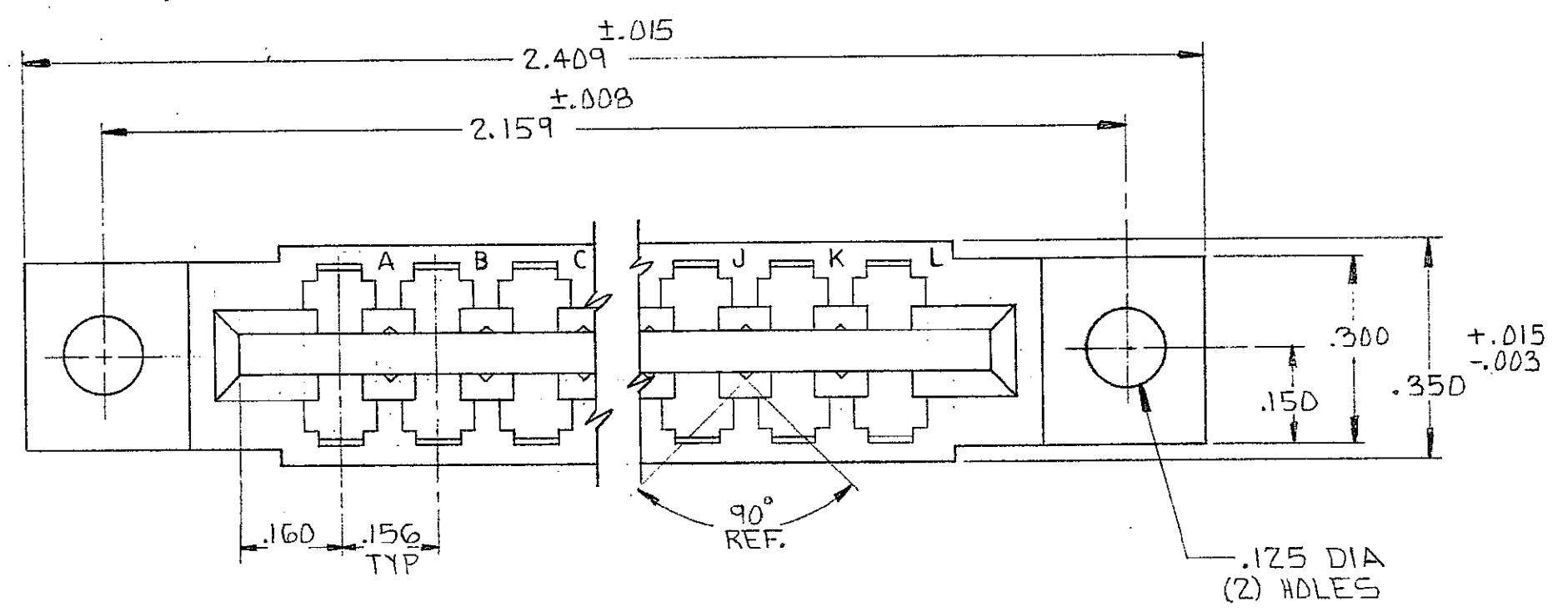


FORMING MADE IN AMERICAN PROJECTION

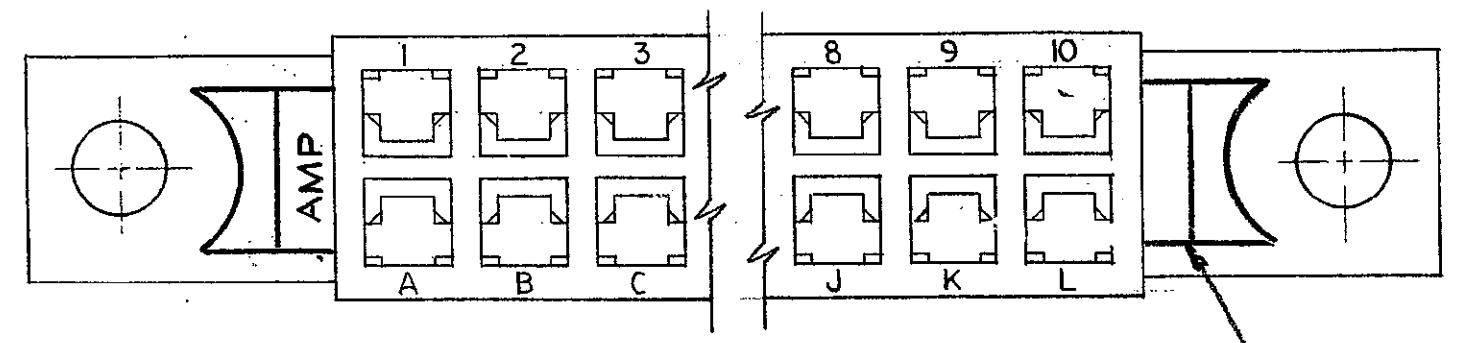
AMP INCORPORATED. ALL RIGHTS RESERVED. AMP PRODUCTS ARE COVERED BY PATENTS AND/OR PATENTS PENDING.

583723-1 I. AS SHOWN

ZONE	LTR	DESCRIPTION	DATE	APPROVED
	A	REVISED MATL 4657 DR	1-9-76	DR
	B	REV PER AD0702	5/14/85	CP/H.W. Kaga
	C	REV PER AD 3180	1/89	EW/AMR
	D	REV PER 0010-0337-95	10-17-95	P.B.
	E	REV PER EC 0320-344-97	25 NOV 97	NS



- 1. ACCEPTS .055 TO .070 THICK P.C. BOARD.
- 2. VOID CORING PERMISSIBLE AT AMP'S OPTION REF ONLY



UNLESS OTHERWISE SPECIFIED, DIMENSIONS ARE IN INCHES TOLERANCES ON : DECIMALS ±.005 ANGLES ± #	CONTRACT NO.	AMP INCORPORATED HARRISBURG, PENNSYLVANIA	
	MATERIAL HOUSING: GLASS FILLED NYLON OR POLYESTER COLOR: BLACK	DR <i>J. Whittle</i> 6/4/71 CHK <i>W. Heide</i> 6/11/71 APPD <i>J. Kaufman</i> 6/11/71 REL <i>R. Shuman</i> 6-18-71	NAME HOUSING, AMP LEAF, 10 POSITION, DUAL, .156 ±
	DSGN APPD	SIZE C	CODE IDENT NO. 00779
	OTHER APPD	SCALE	NUMBER 583723
			SHEET 1 of 1

CUSTOMER DRAWING

NUMBER 583723

PRINT DIST 122